

Rö 1
EC 92

Rö 2
EC 92

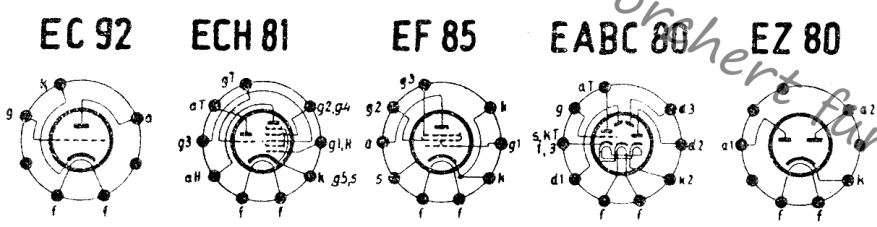
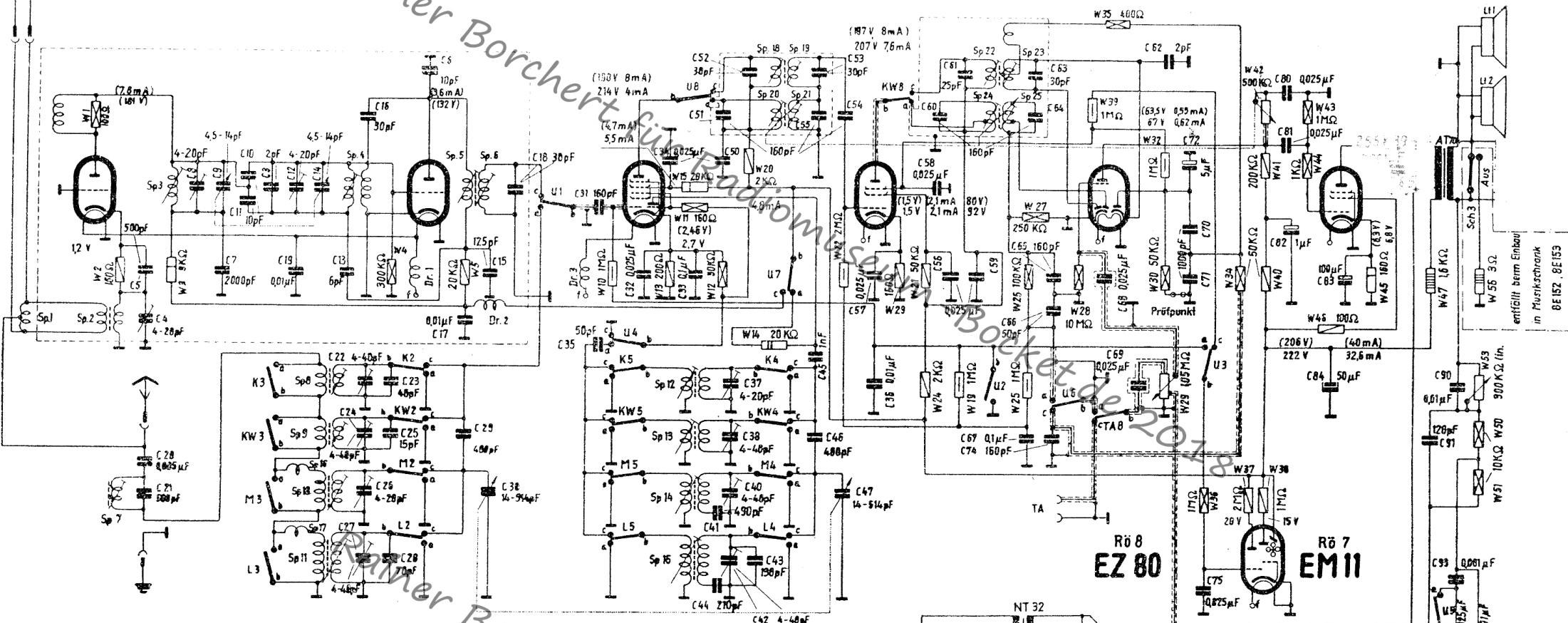
Rö 3
ECH 81

Rö 4
EF 85

Rö 5
EABC 80

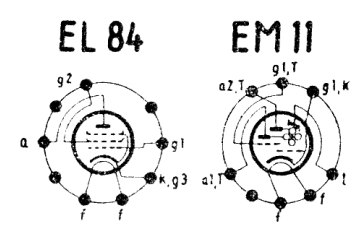
Rö 6
EL 84

Rainer Borchert für Radiomuseum - Bocket.de 2018



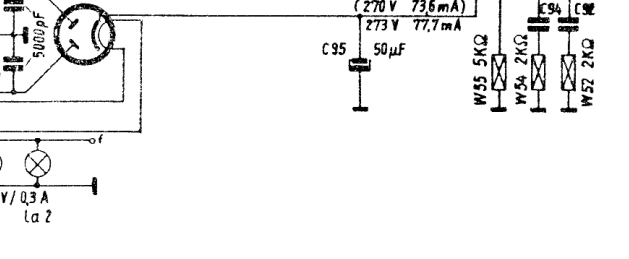
Sch 1

8	●	●	●	●	●	●	●	●	●	●	●
7	●	●	●	●	●	●	●	●	●	●	●
6	●	●	●	●	●	●	●	●	●	●	●
5	●	●	●	●	●	●	●	●	●	●	●
4	●	●	●	●	●	●	●	●	●	●	●
3	●	●	●	●	●	●	●	●	●	●	●
2	●	●	●	●	●	●	●	●	●	●	●
1	●	●	●	●	●	●	●	●	●	●	●
	a1	b1	c1	d1	e1	f1	g1	h1	i1	j1	k1
	u	k	kw	m	l	ta					



Belastbarkeit der Widerstände

0.25 W	0.5 W	1 W	2 W	3 W	



Reparatur -
Stromlaufplan

8E 151 8E 152 8E 153

Werte gemessen mit Multizet 1000 Ω/V
Eingeklammerte Werte für UKW, offene
Werte für alle übrigen Bereiche

entfällt beim Einbau
in Musikschrank
8E 152, 8E 153